



Exceptional
Customer
Service

Same Day
Shipping

Easy
Fastening
Solutions

Repair & Service
Tools / Rentals

Tools & Parts
In Stock

140-2000 Heavy Duty Hand Tool



Heavy Duty Rivet-nut Hand Installation Tool designed for small production work and prototyping of larger sized rivet nuts

140-2000 Includes: 1/4-20, 5/16-18, 3/8-16 and 1/2-13 set-ups only

Thread sizes that can be installed:

Thin-wall Rivet nuts: 1/4-20 up to 1/2-13 (Also 6-32 up to 10-32 with additional head-sets)

Steel Rivet nuts: 1/4-20 up to 5/16-18 (Also 6-32 up to 10-32 with additional head-sets)

Stainless Steel Rivet nuts: 1/4-20 (Also 6-32 up to 10-32 with additional head-sets)

Plusnuts (all materials) 1st Grip Range Only: 1/4-20 up to 1/2-13 (thin material may require double stroke)

Dimensions: Fully extended – 20.5” long – 24” handle span

Weight: 3.55 pounds (1.6 kg)

* For Metric tool order 140-2000M Includes: M6-M12

ISO CERTIFIED

www.cardinalcomponents.com

Visa, Mastercard, Discover & AMEX Accepted · Fax: 262.252.5033

CALL TODAY
800.236.3200



Exceptional
Customer
Service

Same Day
Shipping

Easy
Fastening
Solutions

Repair & Service
Tools / Rentals

Tools & Parts
In Stock

140-2000 Lever Tool Dimensions



ISO CERTIFIED

www.cardinalcomponents.com

Visa, Mastercard, Discover & AMEX Accepted · Fax: 262.252.5033

CALL TODAY
800.236.3200



Exceptional
Customer
Service

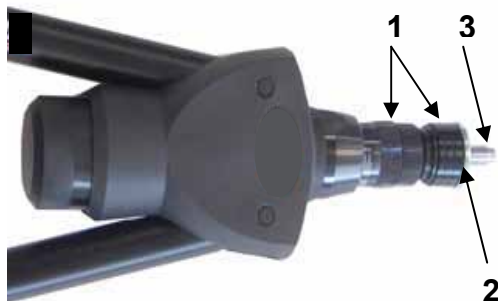
Same Day
Shipping

Easy
Fastening
Solutions

Repair & Service
Tools / Rentals

Tools & Parts
In Stock

Setting up the 140-2000 Lever Tool



- 1) Remove the nosepiece (1) from the tool.
- 2) Thread the shorter portion of the mandrel (3) into the silver threaded portion of the tool, align the flat surfaces.
- 3) Thread the nosepiece (1) over the mandrel (3) back onto the tool until it is securely fastened.
- 4) Snap the anvil (2) onto the front of the nosepiece (1).

Installation Sequence



- 1) Extend the handles (5, 6) as far as they will go while threading the specific rivet nut type onto the mandrel (3).
- 2) Adjust the nosepiece (1) for the specific rivet nut type so that the rivet nut receives full thread engagement on the mandrel (3).
- 3) Thread rivet nut fully onto tool, contacting anvil (2).
- 4) Insert the rivet nut into the hole of your application while it is threaded onto the tool.
- 5) Grasp the handles (5, 6) & extend them until they stop.
- 6) While continuing to grasp the handles (5, 6) bring them back toward each other until they stop.
- 7) Repeat steps 5 and 6 until rivet nut is fully collapsed. (Rivet nut should fully collapse the first time). (Stroke can be determined by the indicator lines (7) which are in mm)
- 8) Turn the rear assembly (4) counterclockwise & remove the tool from the application.

ISO CERTIFIED

www.cardinalcomponents.com

Visa, Mastercard, Discover & AMEX Accepted · Fax: 262.252.5033

CALL TODAY
800.236.3200